



Supported by
NB-Rail Association

RECOMMENDATION FOR USE

NB-RAIL COORDINATION GROUP

Administrative Decision according to Interoperability Directive
(EU) 2016/797 art. 30.6



Co-funded by
the European Union

RFU-STR-043

Issue 03
Date 23/06/2020

TITLE

TOLERANCES

ORIGINATOR

SG RST AND SG INF

SUBJECT RELATED TO

IOD 2008/57 and IOD 2016/797
ALL TSIs

AMENDMENT RECORD: ISSUE 03, IOD REFERENCES UPDATE

DESCRIPTION AND BACKGROUND EXPLANATION

Scope

This proposal covers conformity assessment according to all modules of all TSIs based on the Interoperability Directive.

Background

Some numerical requirements ("values to be assessed") in TSI's are given with tolerances, some without.

For such "values to be assessed" without defined tolerances, it is unclear whether formulations in the text like "minimum", "more than", "maximum", ... have to be taken into account or not (e.g. if a text like "minimum" implies a tolerance of $-0/+x$).

Therefore, it has to be defined, how cases without tolerances have to be handled.

Concept

NB Rail defines how to deal with the different values given in the TSIs.

Tolerances are not applicable for design values.

RFU PROPOSAL

There are 4 cases which have to be treated separately.

Case 1): There is a value given with tolerances (+/-) in the TSI.

Solution: Use the values with the given tolerances.

Case 2): There is given a maximum value in the TSI.

Solution: This value is an absolute maximum value. There is a tolerance of 0.

Case 3): There is given a minimum value in the TSI.

Solution: This value is an absolute minimum value. There is a tolerance of 0.

Case 4): There is given a certain value without tolerances and the value is not defined as a minimum or maximum value.

Solution: General tolerances shall be used. Depending on the character of the product and the value to be assessed, the standard document in which this general tolerance is defined may vary.

Examples of such standards are:



Supported by
NB-Rail Association

RECOMMENDATION FOR USE

NB-RAIL COORDINATION GROUP

Administrative Decision according to Interoperability Directive
(EU) 2016/797 art. 30.6



Co-funded by
the European Union

RFU-STR-043

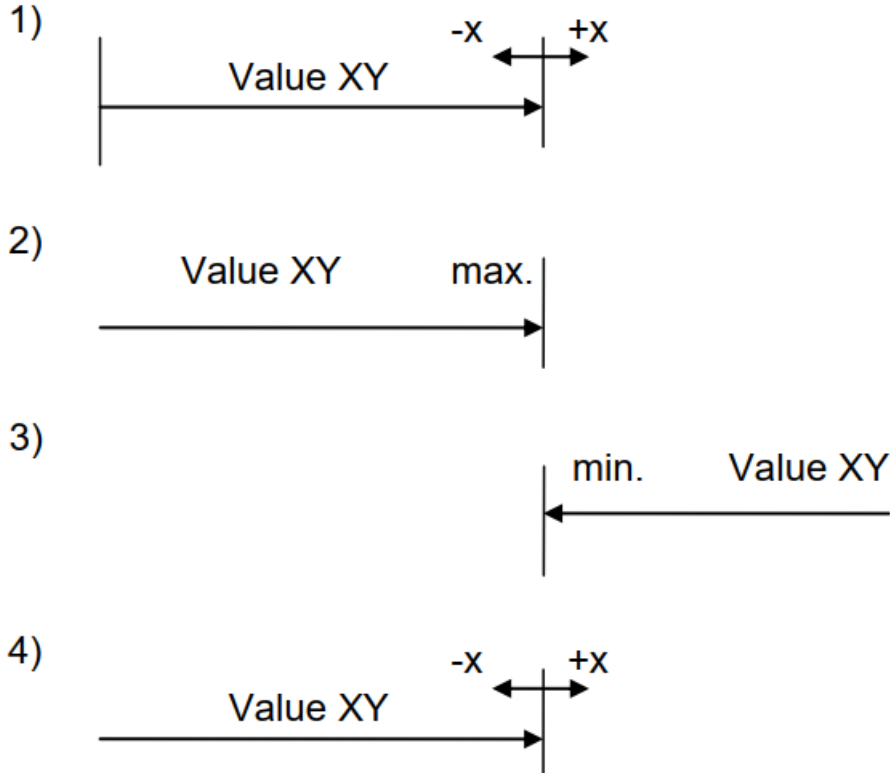
Issue 03

Date 23/06/2020

- Tolerances may also be taken from an appropriate voluntary standard covering the Railway Equipment used at the assessment.
- EN 22768-1:1993: General tolerances - Part 1: Tolerances for linear and angular dimensions without individual tolerance indications.
- EN 22768-2:1993: General tolerances - Part 2: Geometrical tolerances for features without individual tolerance indications
- ISO 13920:1996: Welding - General tolerances for welded constructions - Dimensions for lengths and angles - Shape and position)
- ISO 1101: Geometrical Product Specifications (GPS) - Geometrical tolerancing - Tolerances of form, orientation, location and run-out
- other standards for general tolerances in other fields of applications like electrical engineering, civil engineering, ...)

If no standard is available then the Notified Body should apply the tolerances which are in line with essential requirements of 2008/57/EC. A risk based approach may in some cases be required to define the tolerances. Any such occurrences should be brought to the attention of NB RAIL and ERA.

Figure for the cases:



THIS RFU WAS AGREED ON

PLENARY MEETING 059



Supported by
NB-Rail Association

RECOMMENDATION FOR USE

NB-RAIL COORDINATION GROUP

Administrative Decision according to Interoperability Directive
(EU) 2016/797 art. 30.6



Co-funded by
the European Union

RFU-STR-043

Issue 03

Date 23/06/2020

THIS RFU ENTERS INTO FORCE ON

23/06/2020 (DATE OF PUBLICATION)

FROM THIS DATE ON THIS RFU CAN BE APPLIED INSTEAD OF THE PREVIOUS MANDATORY VERSION.

RFU APPLICATION IS MANDATORY STARTING FROM

23/06/2020

AT THIS DATE ANY PREVIOUS VERSIONS OF THIS RFU WILL BE WITHDRAWN.

RFUS SHALL BE APPLIED BY ALL NOBOS. PLEASE REFER TO RFU-STR-702, CHAPTER 3 OF THE SECTION "DESCRIPTION AND BACKGROUND EXPLANATION", FOR THE LEGAL BASIS SUPPORTING THIS OBLIGATION.

ERA COMMENTS

PLE 059 – 17/06/2020: NO COMMENTS